

Hubbell

Twist-Lock® Devices

50A, 125V AC, 2 Pole, 3 Wire

Grounding Insulgrip® Plug

Features

- Tough nylon housing offers better impact qualities
- Stainless steel shroud restricts mismatching with the wrong device
- Heavy duty two-piece external cord clamp provides maximum strain relief
- Box terminal with hex socket threaded slug, permits high clamping pressure on conductors without damaging strands
- Thermoplastic polyester interior provides heat resistance and impact strength



Ordering Information

Stay Online Item # **7043**

Description	Cord Diameter	Catalog Number
Nylon housing, thermoplastic polyester interior	.830"-1.250" (21.08-31.75)	CS6361C

Listings

Listed to UL 498
Certified to CSA C22.2 No.42

Specifications

Housing	Nylon
Blade Holder	Polyester
Blades	Brass
Shell	Stainless Steel
Terminal	Stainless steel
Screws Cord	Polyester
Grip	Polyester

Performance

Electrical

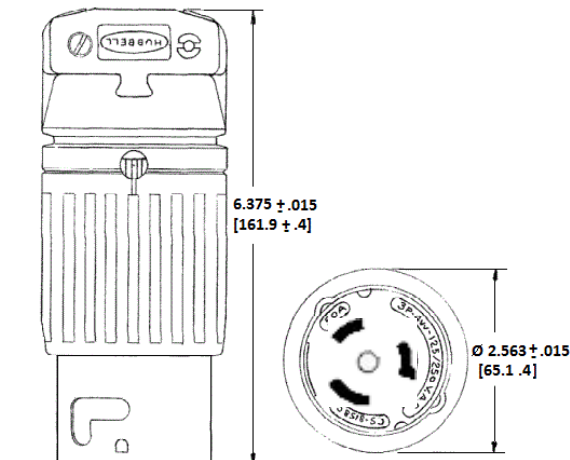
Current Interrupting	Certified for current interrupting at full rated current Withstands 2,000V minimum
Dielectric Voltage	

Mechanical

Terminal Accommodation #10 AWG - #6 AWG stranded copper wire only

Environmental

Flammability	HB or better
Operating Temperatures (w/o impact)	Maximum continuous 75°C; minimum -40°C



Accessories

Connector Single	CS6360C
Receptacle Weatherproof	CS6370
Boot	HBL7716C